

Features

- Freestanding design creates a striking focal point in your bathing area.
- Oval basin creates a spacious bathing experience.
- Integral lumbar support on both ends.
- 16" (406 mm) depth offers a deep soaking experience.
- Wide deck along one side simplifies installation and provides support for getting in and out of bath.
- Straight shroud.
- Textured bottom surface.
- Center drain.

Material

- Acrylic.

Installation

- Freestanding.

Recommended Products/Accessories

- K-7265 Brass toe tap bath drain
- K-37383 Rough-in cable bath drain, PVC, 30" cable with tubing
- K-37386 rough-in cable drain, PVC, 30" cable
- K-24916 Wireless Music Kit
- K-T37391 Rotary-turn bath drain trim
- K-T37392 Rotary-turn bath drain trim
- K-T37393 Rotary-turn bath drain trim
- K-T37394 Rotary-turn bath drain trim
- K-T37395 Bath drain trim
- K-T37396 Push-button bath drain trim
- K-T37397 Push-button bath drain trim
- K-23726 Drain treatment
- K-23732 Tub & shower cleaner



Codes/Standards

CSA B45.5/IAPMO Z124
ASTM E162
ASTM E662



KOHLER® Plastic Baths and Receptors Lifetime Limited Warranty

See website for detailed warranty information.

Available Colors/Finishes

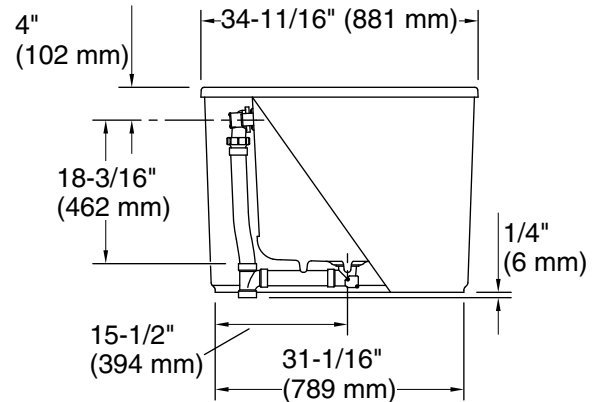
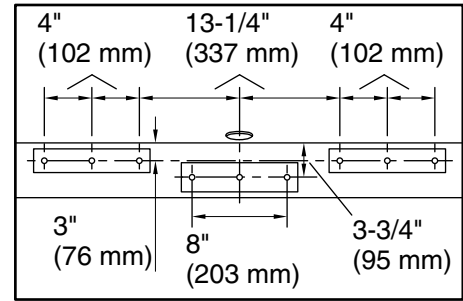
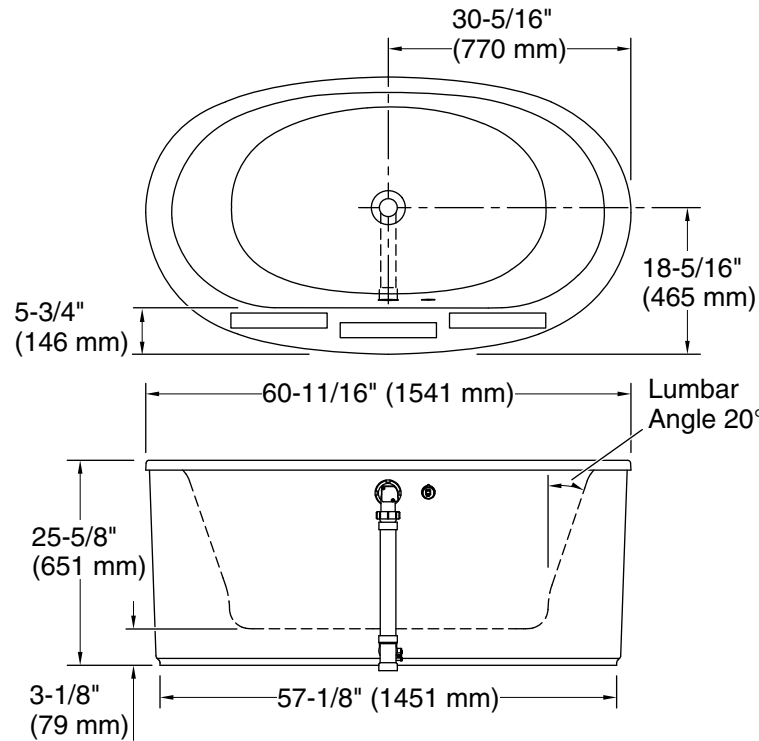
Color tiles intended for reference only.

| Color | Code | Description |
|-------|------|-------------|
|-------|------|-------------|

| | | |
|---|----|---------|
|  | 0 | White |
|  | 96 | Biscuit |

No change in measurements if connected with drain illustrated. (K-37386)

□ Recommended Faucet Location



Technical Information

All product dimensions are nominal.

| | |
|---------------------|--|
| Installation: | Freestanding |
| Drain location: | Center |
| Basin area, bottom: | 39-5/8" x 23-5/8" (1006 mm x 599 mm) |
| Basin area, top: | 49-9/16" x 25-1/2" (1259 mm x 648 mm) |
| Weight: | 120 lbs (54.4 kg) |
| Minimum floor load: | 49.8 lbs/ft² (243.1 kg/m²) |
| Water depth: | 16" (406 mm) |
| Water capacity: | 60 gal (227.1 L) |
| Template: | Footprint, 1364287, not required, not included |

Notes

Measure your actual product for rough-in details.

Install this product according to the installation instructions.

The hot water supply should be 70% of the capacity of the bath or greater. Installations will vary.